



J.L. Industries
 4450 West 78th Street Circle
 Bloomington, MN 55435
 Phone: 952-835-6850 Fax: 952-835-2218

Detail & Submittal Sheet

Distributor: _____ Contractor: _____
 Model Number: _____ Project: _____
 Quantity: _____ Approved By: _____
 Architect: _____ Date: _____

Life Start™ Series AED Cabinet

Door Glazing:

3/16" Clear Acrylic complete with silk screened graphics ("Emergency Defibrillator", "Warning Alarm System" & "Warning for use by trained people") on inside of acrylic.

Door: (F12) Full Acrylic

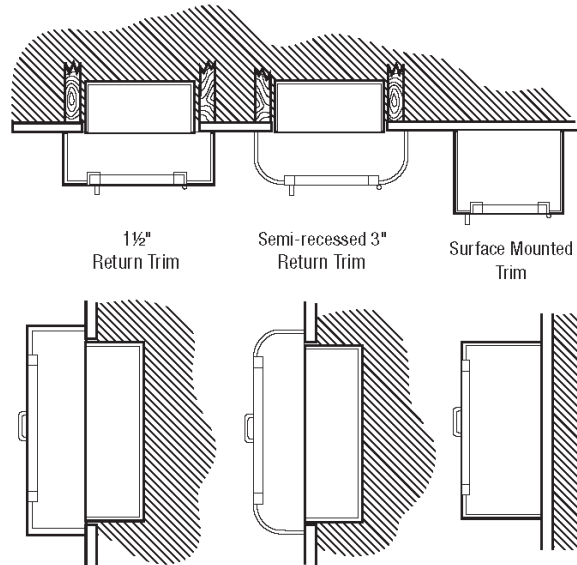
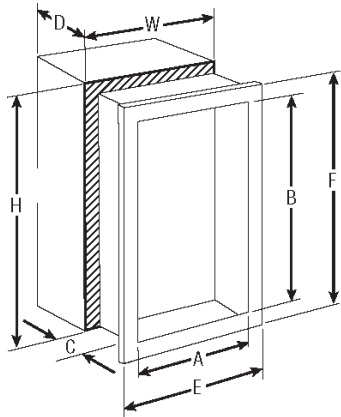
Door & Trim Material: Cold rolled steel

Tub: 22-gage CR steel with White Epoxy finish

Specifications:

- Trim and Door: 1 ¼" face width on the trim and door frame.
- Surface mount cabinet with square edges.
- Door: Formed design with a 5/8" nominal thickness.
- Standard door hardware is a continuous hinge; a zinc plated pull handle and roller catch.
- Commander Alarm:
 - ✓ On/off keyed switch complete with 2 keys,
 - ✓ Powered by a 9-volt battery (included with cabinet)
 - ✓ Alarm operation: Door opens alarm sounds – door closes alarm goes off.

EXPLODED TOP & SIDE VIEWS
 Refer to dimensions table



TRIM & DOOR MATERIAL & SERIES #	TRIM STYLE	TUB O.D.			FRAME O.D.		WALL OPENING Non-Rated			WALL OPENING FX Option				
		A	B	C	E	F	W	H	D	W	H	D		
Stainless Steel														
1413	Surface Mount	17-3/8"	17-3/8"	7"	17-1/2"	17-1/2"	-	-	-	-	-	-	-	-

West Coast Address: Samson Products, Inc., 6285 Randolph St., City of Commerce, CA 90040, PH: (323) 726-9070 FX: (323) 726-9068

Southwest Address: Thomas Enterprises, 5758 Corporation Circle, Fort Myers, FL PH: (239) 693-7501 FX: (239) 693-7501

East Coast Address: JL Eastcoast Warehouse, 316- B Willow Road, Lancaster, PA 17605 PH: (952) 835-6850 FX: (952) 835-2218